

User's Guide
for the
CRATE PRO AUDIO

PS-215S

Subwoofer



The Crate PS-215S Subwoofer features premium components, rugged construction and perfected enclosure design. The subwoofer is designed in concert with the drivers to ensure a perfectly integrated cabinet/transducer system.

In order to achieve the highest level of performance from your Crate Subwoofer, please read this user's guide prior to its use.

And "Thank You" from





PS-215S Subwoofer

Introduction:

Your PS-215S is a dual-speaker, direct radiating, vented subwoofer enclosure. It is intended to operate in a biamped system, where mid and high frequencies are sent to another speaker enclosure. The PS-215S has a durable carpet-covered enclosure, with a rugged 16 gauge steel front grille for superior protection.

The PS-215S is specifically designed to produce solid low-frequency sound for medium to large venues. It may be used singly or in multiple unit arrays, to supplement the low frequency response of other speakers, or as the sole low frequency component in a system.

This speaker incorporates both 1/4 inch phone type input jacks and a Neutrik Speakon® connector. The phone type connectors are very convenient. However, if an amplifier over 150 watts rating is used to power the speaker, or you are permanently installing the speaker, use of the Speakon® connector is preferred.

CAUTION: THIS SPEAKER IS CAPABLE OF PRODUCING HIGH SOUND PRESSURE LEVELS. CONTINUED EXPOSURE TO HIGH SOUND PRESSURE LEVELS CAN CAUSE PERMANENT HEARING IMPAIRMENT OR LOSS. USER CAUTION IS ADVISED, AND EAR PROTECTION RECOMMENDED IF UNIT IS OPERATED AT HIGH VOLUME. THE CHART BELOW SHOWS THE U.S. GOVERNMENT'S OCCUPATIONAL SAFETY AND HEALTH ADMINISTRATION (OSHA) REGULATIONS WHICH WERE IN EFFECT AT THE TIME OF THIS PUBLICATION FOR PERMISSIBLE NOISE EXPOSURE, PER 29CFR1910.95, TABLE G-16:

SOUND LEVEL DBA, SLOW RESPONSE	DURATION PER DAY IN HOURS	SOUND LEVEL DBA, SLOW RESPONSE	DURATION PER DAY IN HOURS
90	8	102	1 - 1/2
92	6	105	1
95	4	110	1/2
97	3	115	1/4 or less
100	2		

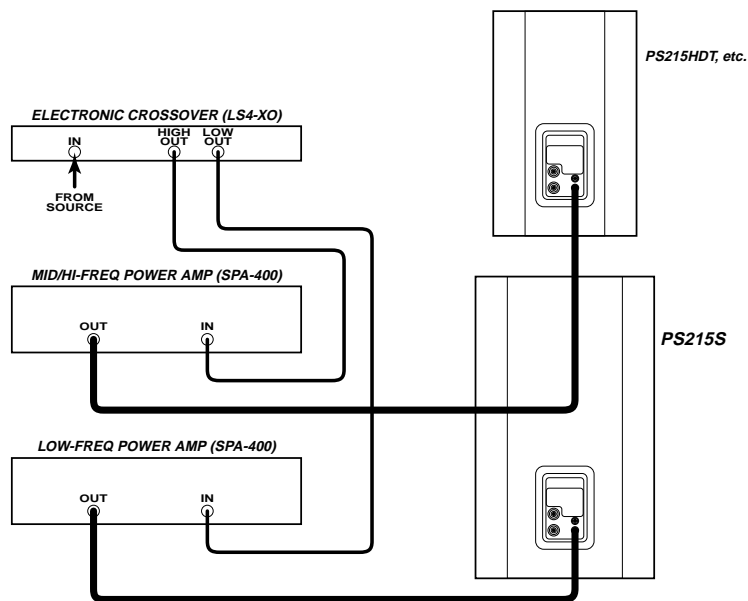
ACCORDING TO OSHA, ANY EXPOSURE IN EXCESS TO THESE AMOUNTS LISTED ABOVE COULD RESULT IN SOME HEARING LOSS.



PS-215S Subwoofer

Operation:

Plug a speaker cable from your LOW FREQUENCY power amplifier into the input located on the jackplate of the PS-215S. To properly utilize the PS-215S, you should supply an external crossover to direct mid and high frequencies to another speaker system. A typical system would include an electronic crossover and two power amplifiers, so that one amplifier is dedicated to only low frequencies, and the other amplifier to only mid and high frequencies. The PS-215S should then be connected to the low frequency amplifier, and the other speaker system to the high frequency amplifier. (Refer to the illustration below.)



If the PS-215S is used to supplement another speaker, it may be connected in parallel; however, the PS-215S is limited to low frequencies and will not produce usable high frequencies. The performance of a system set up this way will not be as satisfactory as a biamped system, and the amplifier must be able to drive the total load presented by the two speakers in parallel.



PS-215S Subwoofer

Technical Specifications:

Type	Subwoofer with trapezoidal cabinet
Frequency Response	33Hz – 200Hz
RMS Power Rating	400 watts
Peak Power Handling	800 watts
Impedance	4 ohms nominal, 3 ohms minimal
Sensitivity	96dB SPL 1w/1m
Suggested Crossover Frequency Range	80Hz to 200Hz (between subwoofer and midbass unit)
Components	Two custom designed 200 watt 15" cone speakers
Inputs	2 1/4" jacks, 2 Neutrik Speakon® jacks
Dimensions (H x W x D)	36" x 25" x 24" (915cm x 635cm x 610cm)
Weight	110 lbs. (50kg)

Speakon® is a registered TM of Neutrik AG

Specifications subject to change without notice.

CAUTION: WHEN USING THE PS-215S BE SURE THE SPEAKER CABLES DO NOT POSE A TRIPPING HAZARD, AND THAT THEY CANNOT TIP THE SPEAKERS IF PULLED. NEVER SET UP A SPEAKER ON ANY SURFACE OR SUPPORT WHERE TIPPING OR COLLAPSE COULD CAUSE IT TO FALL ON PEOPLE. THE PS-215S MAY CAUSE SEVERE VIBRATION OF SURROUNDING SURFACES SUCH AS FLOORS, SHELVES AND WALLS. SUCH VIBRATION MAY CAUSE OBJECTS TO TIP OVER OR FALL RESULTING IN POSSIBLE INJURY OR DAMAGE.

CAUTION: NEVER USE THE PS-215S ON AN INCLINED SURFACE OR WHERE VIBRATION COULD CAUSE IT OR OTHER OBJECTS TO SLIDE, TIP, OR FALL.

WARNING: THIS SPEAKER IS NOT DESIGNED TO BE SUPPORTED OR SUSPENDED OFF THE FLOOR FROM CABLES OR IN ANY OTHER MANNER. SUSPENSION IS NOT RECOMMENDED. IF SUSPENSION IS DESIRED, CONSULT A REGISTERED PROFESSIONAL ENGINEER.



www.crateamps.com

©1999 SLM Electronics, Inc. • A Division of St. Louis Music, Inc.
1400 Ferguson Avenue • St. Louis, MO 63133

47-415-03 • 01/99

