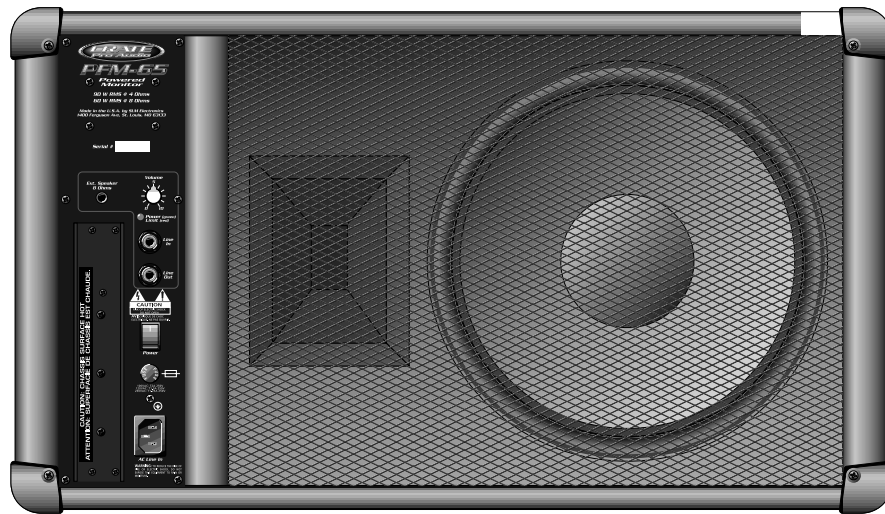


CRATE

PFM-65 *POWERED MONITOR*



OWNER'S MANUAL

Congratulations!

You are now the proud owner of the compact but powerful PFM-65 powered monitor. It features a custom design 12 inch woofer and a precision high frequency horn for exceptional coverage pattern control. These quality components are housed in a monitor-style Thiele-aligned enclosure with a heavy-duty carpet covering. The cabinet includes an expanded metal grill for speaker protection and is equipped with a 1-1/2" stand adapter for use with a Crate speaker stand or equivalent.

Like all Crate products, your PFM-65 is Musician Made in the U.S.A., using only the best components. Extensive testing at the hands (and ears) of skilled technicians and musicians insures you that this monitor is the absolute best it can be.

In order to get the most out of your new monitor, we strongly urge you to go over the information contained in this manual before you begin playing.

And ***thank you*** for choosing

CRATE

CRATE PFM-65 Powered Monitor

1. VOLUME: Use this control to adjust the output level of the monitor.

2. EXT. SPEAKER: Use this jack to connect the monitor to an external speaker cabinet. This 1/4" mono jack is wired in parallel with the monitor's internal speakers, and will not disconnect them when used. You must use a cabinet with an impedance of at least **8 ohms**. We recommend either Crate's UFM-10P or UFM-12H.

3. POWER/LIMIT LED: This two-color LED will glow **green** when the monitor is active and **red** when the internal limit circuit is triggered. The limit circuit holds the output at the amplifier's peak, preventing distortion. If the LED stays red constantly, reduce the Volume control (#1).

4. LINE IN: Use this jack to feed your signal into the PFM-65. Use a standard 1/4" shielded cable to connect to the line level output (1v RMS max) from your mixer or preamp. This works well with the post-EQ Line Out from Crate's PCM mixer or the Line Out from Crate's APM-75.

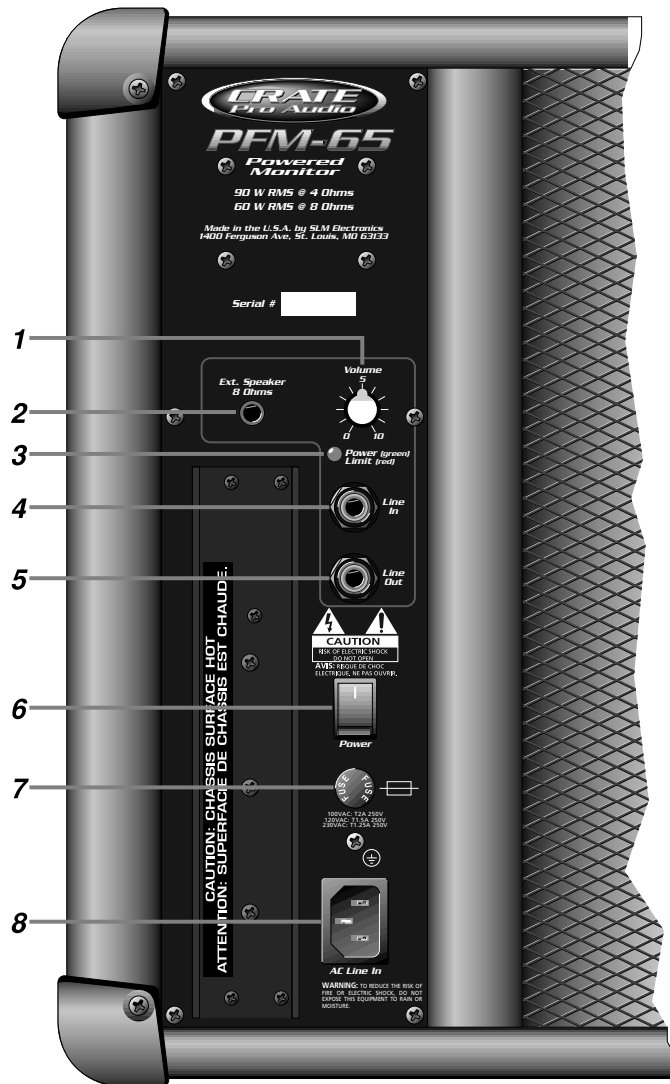
5. LINE OUT: Use this jack to "daisy-chain" the PFM-65 to another powered monitor. This jack is wired in parallel to the Line In jack (#4).

6. POWER SWITCH: Use this switch to turn the monitor ON in the up position, OFF in the down position.

7. FUSE: This protects the monitor against damages caused by a faulty power source or signal overload conditions. If the fuse blows, replace it **ONLY** with the same size and type as listed below the fuseholder. If the fuse blows repeatedly check the voltage source; if it's okay, contact your Crate dealer for possible service information.

8. AC LINE IN: Firmly connect the female end of the supplied AC power cord into this receptacle. **Then** plug the male end of the power cord into a properly grounded AC outlet. **NEVER ATTEMPT TO DEFEAT THE GROUND CONNECTION OF THE POWER CORD!**

CRATE[™] PFM-65 Powered Monitor

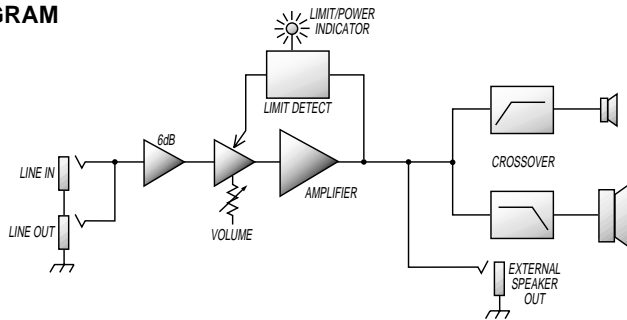


CRATE[®] PFM-65 Powered Monitor

PFM-65 TECHNICAL SPECIFICATIONS

Output Power Rating	65 watts RMS @ <1% THD (Internal speaker only) 80 watts RMS @ <1% THD (Internal speaker plus external 8 ohm speaker)
Crossover Frequency	2kHz
Input Impedance	20k ohm Unbalanced
Maximum Input Signal Level Accepted	5V RMS (14V peak-to-peak)
Limiter Range	20dB, maximum distortion <.1%
Frequency Response	50Hz – 20kHz (+/-3dB) 20Hz – 20kHz (+/-3dB) external output only
Maximum Average SPL	114dB SPL
Dispersion Angle	Horizontal: 120° +/-40°, 300Hz – 10kHz Vertical: 50° +20°/-10°, 1kHz – 10kHz
AC Power Requirements	120 VAC, 60Hz, 115VA 100/115VAC, 50/60Hz, 115VA 230VAC, 50/60Hz, 115VA
Size and Weight:	27-1/2" H x 16-1/4" W x 13-3/4" D, 53 lbs.

BLOCK DIAGRAM



CAUTION
RISK OF ELECTRIC SHOCK
DO NOT OPEN

CAUTION: TO REDUCE THE RISK OF ELECTRIC SHOCK, DO NOT REMOVE COVER. NO USER-SERVICEABLE PARTS INSIDE. REFER SERVICING TO QUALIFIED SERVICE PERSONNEL.

ATTENTION
RISQUE D'ELECTROCUTION
NE PAS OUVRIR

ATTENTION: POUR REDUIRE D'ELECTROCUTION NE PAS ENLEVER LE COUVERCLE. AUCUNE PIECE INTERNE N'EST REPARABLE PAR L'UTILISATEUR. POUR TOUTE REPARATION, S'ADRESSER A UN TECHNICIEN QUALIFIE.

VORSICHT
ELEKTRISCHE SCHLAGEGFAHR
NICHT OFFENEN

VORSICHT: ZUR MINIMIERUNG ELEKTRISCHER SCHLAGEGFAHR NICHT DEN DECKEL ABNEMMEN. INTERNE TEILE KONNEN NICHT VOM BENUTZER GEWARTET WERDEN. DIE WARTUNG IS QUALIFIZIERTEM WARTUNGSPERSONAL ZU UBERLASSEN.

THIS EQUIPMENT HAS BEEN DESIGNED AND ENGINEERED TO PROVIDE SAFE AND RELIABLE OPERATION. IN ORDER TO PROLONG THE LIFE OF THE UNIT AND PREVENT ACCIDENTAL DAMAGES OR INJURY, PLEASE FOLLOW THESE PRECAUTIONARY GUIDELINES:

CAUTION: TO REDUCE THE RISK OF ELECTRIC SHOCK, DO NOT OPEN CHASSIS; DO NOT DEFEAT OR REMOVE THE GROUND PIN OF THE POWER CORD; CONNECT ONLY TO A PROPERLY GROUNDED AC POWER OUTLET.

WARNING: TO REDUCE THE RISK OF FIRE OR ELECTRIC SHOCK, DO NOT EXPOSE THIS EQUIPMENT TO RAIN OR MOISTURE.

CAUTION: NO USER-SERVICEABLE PARTS INSIDE. REFER SERVICING TO QUALIFIED SERVICE PERSONNEL.

CAUTION: OUR AMPLIFIERS ARE CAPABLE OF PRODUCING HIGH SOUND PRESSURE LEVELS. CONTINUED EXPOSURE TO HIGH SOUND PRESSURE LEVELS CAN CAUSE PERMANENT HEARING IMPAIRMENT OR LOSS. USER CAUTION IS ADVISED AND EAR PROTECTION IS RECOMMENDED IF UNIT IS OPERATED AT HIGH VOLUME.

EXPLANATION OF GRAPHICAL SYMBOLS:

EXPLICACION DE SIMBOLOS GRAFICOS:

EXPLICATION DES SYMBOLES GRAPHIQUES:



"DANGEROUS VOLTAGE"
"VOLTAGE PELIGROSO"
"DANGER HAUTE TENSION"
"GEFAHRLICHE SPANNUNG"



"IT IS NECESSARY FOR THE USER TO REFER TO THE INSTRUCTION MANUAL."
"ES NECESARIO QUE EL USUARIO SE REFIERA AL MANUAL DE INSTRUCCIONES."
"REFEREZ-VOUS AU MANUAL D'UTILISATION"
"UNBEDINGT IN DER BEDIENUNGSANLEITUNG NACHSCHLAGEN"

Crate continually develops new products, as well as improves existing ones. For this reason, the specifications and information in this Crate manual are subject to change without notice.



©1997 SLM ELECTRONICS, A DIVISION OF ST. LOUIS MUSIC, 1400 FERGUSON, ST. LOUIS, MO. 63133
P/N 47-665-02 • 12/97

CRATE[®]